



Handheld Particle Counter KR-12A

<HHPC-6>

Easy Particle Measurement Anywhere Anytime



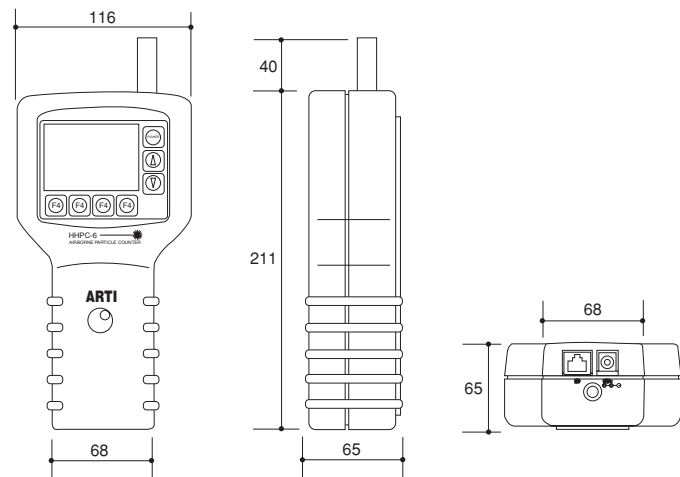
Highly compact, portable unit implements latest DSP technology for versatile functions

- Six particle size channels: 0.3, 0.5, 0.7, 1.0, 2.0, 5.0 μm and higher
- Integrated temperature/humidity sensor (no need for external add-on)
- Flow rate 2.83 L/minute (0.1 CF/minute)
- Rechargeable battery provides up to 8 hours of continuous operation (charge time 2 hours)
- Buffer function allows storing and redisplay of up to 500 measurement data sets
- Supplied utility software for easy data download
- Use as sensors in multi-point monitoring system is possible
- Password protection for measurement settings

Specifications

| | | |
|---------------------------------------|--|---|
| Optical system | Sideway light-scattering method | |
| Light source | Laser diode (wavelength 790 nm, maximum output 50 mW) | |
| Laser product class | Class 1, IEC 60825-1/EN 60825-1 | |
| Light detector | Photodiode | |
| Sample flow rate | 2.83 L/min | |
| Particle size (6 channels) | ≥0.3 μm, ≥0.5 μm, ≥0.7 μm, ≥1.0 μm, ≥2.0 μm, ≥5.0 μm | |
| Maximum particle concentration | 70 000 particles/L (coincidence loss max. 5 %) | |
| Measurement time | 6 sec. (0.01 CF), 21 sec. (1 L), 1 min. (0.1 CF, 2.83 L), 3 min. 32 sec. (10 L), 10 min. (1 CF, 28.3 L), any length (MANUAL), any length (1 sec. to 59 min. 59 sec.) | |
| Buffer function | Store and recall values for up to 500 measurements | |
| Input/output connector | | |
| I/O port (switchable) | Serial interface Multi-point system interface | |
| Temperature/humidity measurable range | 10 °C to 40 °C, 20 % to 90 % RH (approximate) | |
| Power requirements | Built-in battery or AC adapter | |
| Battery | Rechargeable nickel metal hydride (Ni-MH) battery (continuous operation time approx. 8 hours) Charged from supplied AC adapter when power is ON (charge time 2 hours) | |
| AC adapter | Input voltage: 100 to 240 V AC, 50/60 Hz | |
| Dimensions and weight | 211(H) × 116(W) × 65(D)mm (excluding protruding parts), approx. 1 kg | |
| Supplied Accessories | AC adapter × 1 Power cord × 1 Modular cable × 1 PC connector adapter × 1 1/8 inch tube joint × 1 | 1/8 inch tube × 1 Carrying case × 1 Utility software × 1 Zero count filter × 1 Hand strap × 1 |

External Dimensions (unit : mm)



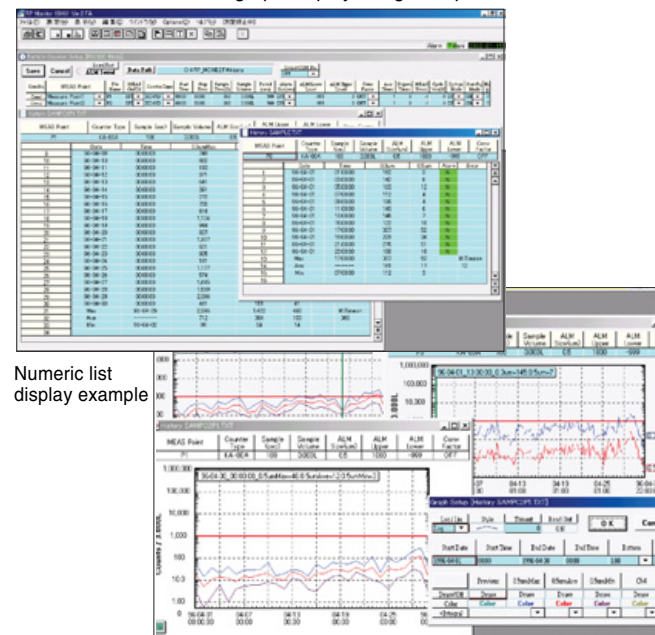
* Company names and product names mentioned in this catalog are usually trademarks or registered trademarks of their respective owners.
* Specification subject to change without notice.

RION CO., LTD.

3-20-41, Higashimotomachi, Kokubunji, Tokyo 185-8533, Japan
Tel: +81-42-359-7878 Fax: +81-42-359-7458
<http://www.rion.co.jp/english/>

RP Monitor K9461/K9462 option

Allows using a computer for automated particle counter control, data collection, real-time graph display, filing, and printout.



Numeric list display example

Graph display example

- Allows data processing using spreadsheet applications such as Microsoft Excel etc.
- (K9461) Allows one-on-one control of RION particle counter via RS-232C
- (K9462) Allows multi-point monitoring system configuration using RS-232C/RS-485 converter (up to 20 measurement points)

Supported operating systems: Microsoft Windows 2000/XP

Printer DPU-414 option

(Seiko Instruments)

For printout of measurement data.
Battery driven operation supported.



```

** CALIBRATION ALARM **
** COUNT ALARM **
01/27/2000 10:17:11 AM
Label 2 1 1.0L
Temp. = 64F RH = 42%
>0.3μm 7388 P/L
>0.5μm 332 P/L
>0.7μm 115 P/L
>1.0μm 62 P/L
>2.0μm 32 P/L
>5.0μm 8 P/L
    
```

Sample printout

● Specifications

| | |
|-----------------------|--|
| Printing principle | Thermal transfer serial dot matrix |
| Printing width | 40 characters |
| Interface | RS-232C |
| Power requirements | Supplied AC adapter (100 V to 250 V) or built-in battery operation |
| Dimensions and weight | 66.5 (H) x 160 (W) x 170 (D) mm, approx. 0.7 kg |

● Options

| | |
|-----------------------------|--|
| Printer cable for KR-11/12A | KR121000 |
| Thermal printer paper | TP-14 (6 rolls per pack, roll size 112 mm x 28 mm) |
| Clean printer paper | TP-26 (6 rolls per pack, roll size 112 mm x 28 mm) |



ISO 14001 RION CO., LTD.
ISO 9001 RION CO., LTD.

Distributed by:

